

Product information presented here reflects conditions at time of publication. Consult factory regarding discrepancies or inconsistencies.



MAIL TO: P.O. BOX 16347 • Louisville, KY 40256-0347
SHIP TO: 3649 Cane Run Road • Louisville, KY 40211-1961
TEL: (502) 778-2731 • 1 (800) 928-PUMP • **FAX:** (502) 774-3624

Visit our web site:
zoellerpumps.com

REPLACEMENT PARTS LIST FOR MODELS:

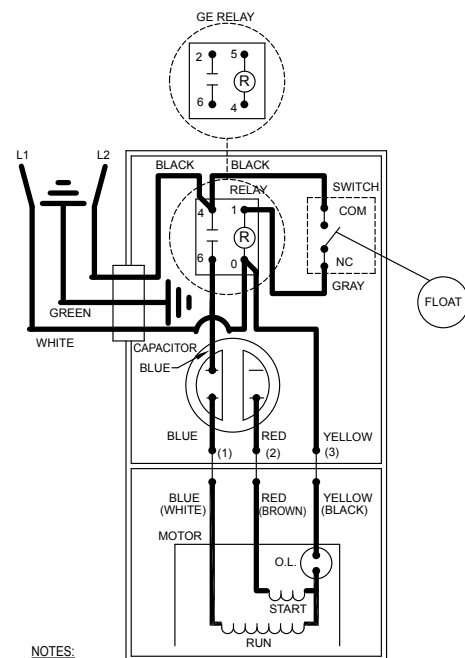
D165 AUTOMATIC 230V E165 NONAUTOMATIC 230V

Consult factory for all other Models

TO ORDER REPLACEMENT PARTS:

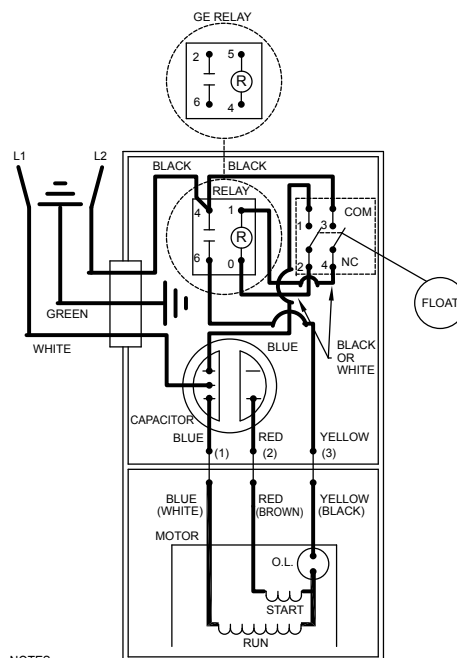
PLEASE FURNISH THE FOLLOWING INFORMATION:

- Model Number.
- Part Number of Pump.
(If manufactured prior to June 1988, give 2 letter date code following Model No.)
- Part Number and Description of part.



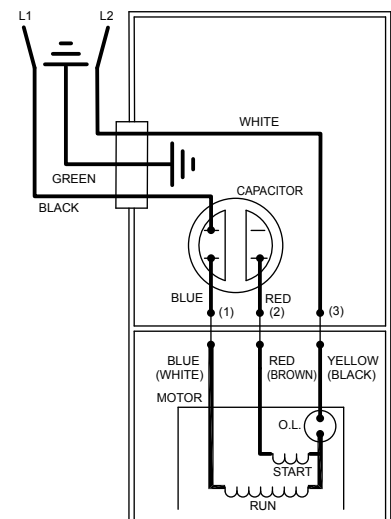
002398
NOTES:
INSULATORS REQUIRED ON GE RELAY TERMINALS 2 & 5;
OMRON RELAY TERMINALS 1 & 4.

WIRING DIAGRAM FOR
MODELS
"D165-A"
4/81 (PM) thru 8/86 (US)



004622
NOTES:
INSULATORS REQUIRED ON GE RELAY TERMINALS 2 & 5;
OMRON RELAY TERMINALS 1 & 4.

WIRING DIAGRAM FOR
MODELS
"D165-B"
9/86 (VS) thru Current



002397

WIRING DIAGRAM FOR
MODELS
"E165-A", "E165-B", "E165-C",
and "E165-D"
4/81 (PM) thru Current

REPLACEMENT PARTS LIST FOR MODELS "D165".

See back page for "D165" illustration.

REF NO.	DESCRIPTION	QTY	NOTES	MODELS:				
				D165-A	D165-B	D165-C	D165-D	D165-E
				4/81 thru 1/85	2/85 thru 8/86	9/86 thru 7/09	8/09 thru 1/16	2/16 thru Current
1	Case Switch & Cord 230V/1Ph	1	2,3	002378	002378	004748	004748	004748
2	• Handle	1		217069	217069	217069	217069	217069
3	Cord Term&Seal 20'/230V/1Ph/A	1	3	002429	002429	002429	002429	002429
4	Clamp,Strain Relief-Red	1	3	001770	001770	001770	001770	001770
5	Seal,Cord-Asm & Strain Relief	1		094032	094032	094032	094032	094032
6	Case-Mach "160/180/280/290"	1	2	004748	004748	004614	004614	004614
7	• Guard	1		001023	001023	001023	001023	001023
8	• Arm & Seal Asm "160/180/290"	1	2	002379	002379	004745	004745	004745
9	• Gasket,Case/Cover	1		001011	001011	001011	001011	001011
10	Switch Asm "160/180/290"	1	2	002380	002380	004744	004744	004744
11	• Wire Pkg (6 Wire)	1		001070	001070	004749	004749	004749
	Wire Asm-F-F(1)Wire Gy 7"Lg	1		002609	002609	NA	NA	NA
12	Capacitor & Clamp Asm 20uf	1		002381	002381	002381	002381	002381
13	Relay 230V	1		217093	217093	217093	217093	153833
14	Float,Plastic	1		094039	094039	094039	094039	094039
15	Guide Asm,Flt Rod	1		001072	001072	001072	001072	001072
16	Rod Asm,Flt	1		003083	003083	003083	150439	150439
17	Housing,Mtr-& Stator 230V/1Ph	1	1, 6	002382	002382	002382	019655	019655
18	Bearing,Sleeve	1		001012	001012	001012	NA	NA
	Bearing, Upper Ball	1		NA	NA	NA	006703	006703
19	• Plug,Test-White	2		034090	034090	034090	034090	034090
20	• Seal,Thru Wall Term	3		003402	003402	003402	003402	003402
21	Rotor & Brg Asm	1	6	001074	001074	001074	019650	019650
22	• Bearing,Radial	1		001013	001013	001013	010069	010069
23	• Seal,Mtr Hsg	1		001014	001014	001014	001014	001014
24	• Oil,Dielectric	1		002383	002383	002383	011066	011066
25	Adapter-Mach 163/165/293	1		001003	001003	001003	001003	001003
26	• Seal,Shaft	1		002430	002430	002430	002430	002430
27	Flange Pkg 2"Npt	1		NA	10-1305	10-1305	10-1305	10-1305
	Flange Pkg 3"Npt	1		NA	10-1306	10-1306	10-1306	10-1306
28	Impeller Br "165/188"	1		001046	004203	004203	004203	004203
29	Housing,Pump-Mach 163/165	1		001044	004214	004214	004214	004214
30	Strainer Plate	1		137008	137008	137008	137008	137008
31	• Screw, .25-20 X .75 HHm-SS	4		001916	001916	001916	001916	001916
32	• Screw, .313-18 X 1"HH Cap-SS	4		002608	002608	002608	002608	002608
33	• Screw, #10-24 X.375 RHM-SI SS	2		001883	001883	001883	001883	001883
34	• Screw, #6-32x.438RhsItip"1"Stlzi	2		001877	001877	004644	004644	004644
35	• Sem,10-24x.375HH-SI Tc.688Wash	2		002000	002000	002000	002000	002000
36	• Washer, SS-1.25"Odx.562"Idx.078	2		N/A	002115	002115	002115	002115
37	• Screw, .5-13 X 2 HH Cap-SS	2		N/A	001909	001909	001909	001909
38	• Screw, #6-32x.25RHM SI Tc Stlgr	5		001877	001877	001877	001877	001877
39	• Screw, .25-20 X 1" HHM-SS	4		007790	007790	007790	007790	007790
☐	Rebuild Kit "160/185/293"			002425	002425	004747	019647	019647

• Items included in Rebuild Kit. ☐ Not Shown in Illustration.

NOTES:

- 1) Mtr. Hsg., Brg., Stator & Term. (Item 17) is preassembled at the factory and must be replaced as a unit. Stator is permanently attached to the Motor Housing. Plug (Item 19); Seal, Thru Wall Term. (Item 20) and Bearing - Upper (Item 18) are replaceable.
- 2) When ordering these parts, customer must identify if switch is a General Electric switch.
- 3) If an "X" follows Model No., or Date Mfg. on ID tag, consult factory for ordering of this part.
- 4) See FM0160 Parts Price Sheet for listing of parts prices.
- 5) "NA" indicates, not applicable.
- 6) When ordering these parts, customer must identify if G.E. or EMD.

REPLACEMENT PARTS LIST FOR MODELS "E165".

See back page for "E165" illustration.

REF NO.	DESCRIPTION	QTY	NOTES	MODELS:			
				E165-A 4/81 thru 1/85	E165-B 2/85 thru 8/86	E165-C 9/86 thru 7/09	E165-D 8/09 thru Current
1	• Handle	1		217069	217069	217069	217069
2	Cover & Cord 230V/1Ph	1	2	002401	002401	002401	002401
3	Cord Term&Seal 20'/230V/1Ph/Na	1	2	002402	002402	002402	002402
4	Clamp,Strain Relief-Red	1	2	001770	001770	001770	001770
5	• Seal,Cord-Asm & Strain Relief	1	2	094032	094032	094032	094032
6	Cover-Mach Std Cd Or 3Ph "293"	1		001077	001077	001077	001077
7	• Gasket,Case/Cover	1		001011	001011	001011	001011
8	• Wire Pkg (5) Wires	1		001070	001070	004749	004749
9	Capacitor & Clamp Asm 20uf	1		002381	002381	002381	002381
10	Housing,Mtr-& Stator 230V/1Ph	1	1, 5	002382	002382	002382	019655
11	Bearing,Sleeve	1		001012	001012	001012	NA
	Bearing, Upper Ball	1		NA	NA	NA	006703
12	• Plug,Test-White	2		034090	034090	034090	034090
13	• Seal,Thru Wall Term	3		003402	003402	003402	003402
14	Rotor & Brg Asm	1	5	001074	001074	001074	019650
15	• Bearing,Radial	1		001013	001013	001013	010069
16	• Seal,Mtr Hsg	1		001014	001014	001014	001014
17	• Oil,Dielectric-(38 Oz Can)	1		002383	002383	002383	011066
18	Adapter-Mach 163/165/293	1		001003	001003	001003	001003
19	• Seal,Shaft	1		002430	002430	002430	002430
20	Flange Pkg 2"Npt	1		NA	10-1305	10-1305	10-1305
	Flange Pkg 3"Npt	1		NA	10-1306	10-1306	10-1306
21	Impeller Br "165/188"	1		001046	004203	004203	004203
22	Housing,Pump-Mach 163/165	1		001044	004214	004214	004214
23	Strainer Plate	1		137008	137008	137008	137008
24	• Screw, .25-20 X .75 HHm-SS	4		001916	001916	001916	001916
25	• Screw, .313-18 X 1"HH Cap-SS	4		002608	002608	002608	002608
26	• Screw,#10-24 X.375 RHM-SI SS	2		001883	001883	001883	001883
27	• Sem,10-24x.375HH-SI Tc.688Wash	2		002000	002000	002000	002000
28	• Screw,.5-13 X 2 HH Cap-SS	2		NA	001909	001909	001909
29	• Washer,SS-1.25"Odx.562"Idx.078	2		NA	002115	002115	002115
30	• Screw,#6-32x.25RHM SI Tc Stlgr	4		001877	001877	001877	001877
31	• Screw, .25-20 X 1" HHM-SS	4		007790	007790	007790	007790
☐	Rebuild Kit "160/185/293"			002425	002425	004747	019648

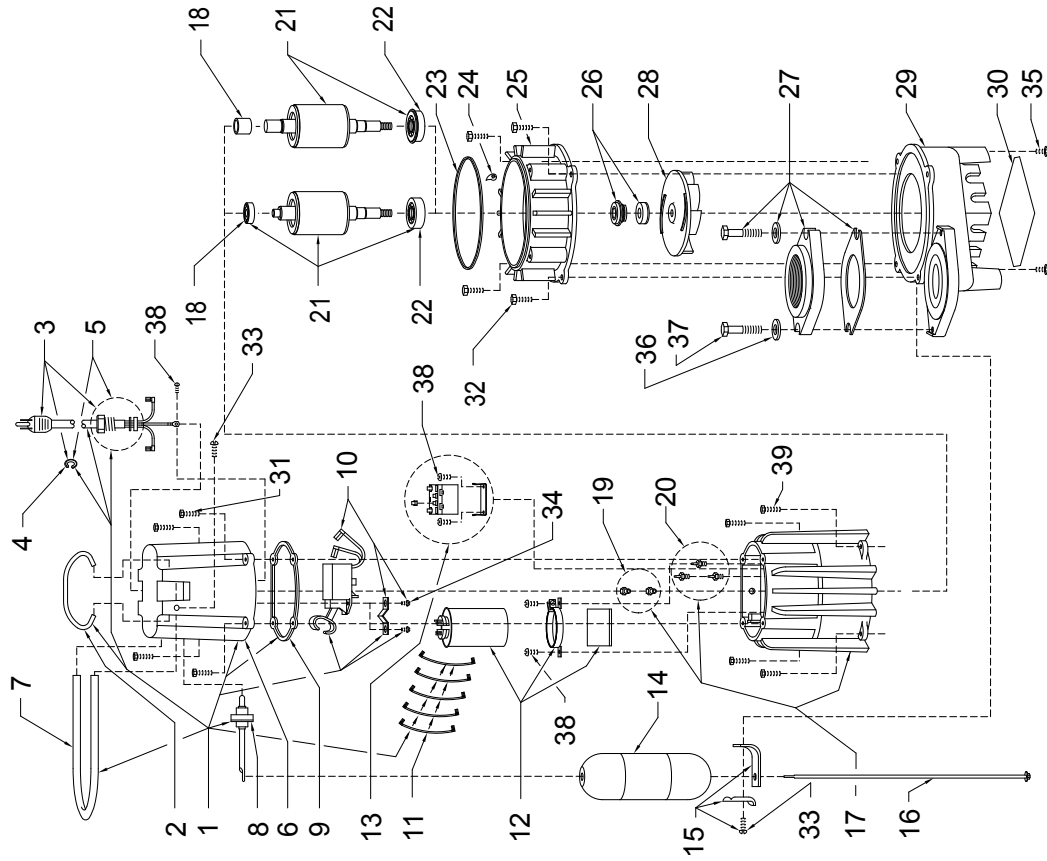
• Items included in Rebuild Kit.

☐ Not Shown in Illustration.

NOTES:

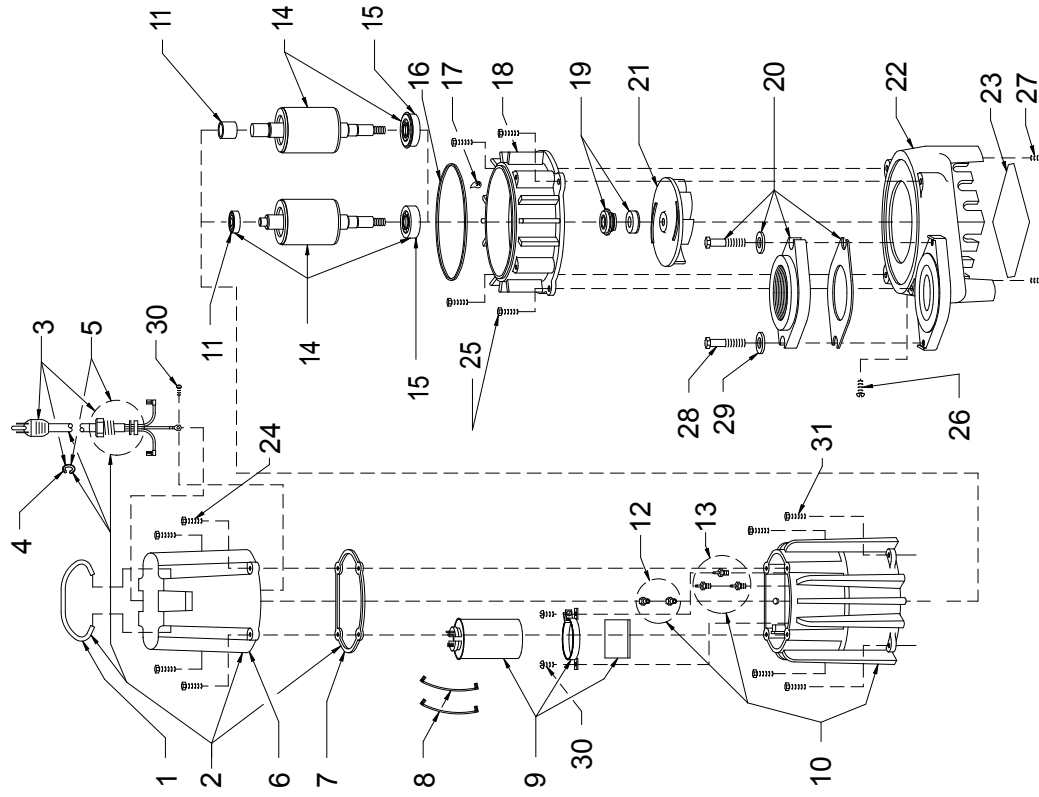
- 1) Mtr. Hsg., Brg., Stator & Term. (Item 10) is preassembled at the factory and must be replaced as a unit. Stator is permanently attached to the Motor Housing. Plug (Item 12); Seal, Thru Wall Term. (Item 13) and Bearing - Upper (Item 11) are replaceable.
- 2) If an "X" follows Model No., or Date Mfg. on ID tag, consult factory for ordering of this part.
- 3) See FM0160 Parts Price Sheet for listing of parts prices.
- 4) "NA" indicates, not applicable.
- 5) When ordering these parts, customer must identify if G.E. or EMD.

REPLACEMENT PARTS ILLUSTRATION FOR MODEL "D165"



SK261

REPLACEMENT PARTS ILLUSTRATION FOR MODEL "E165"



SK914